

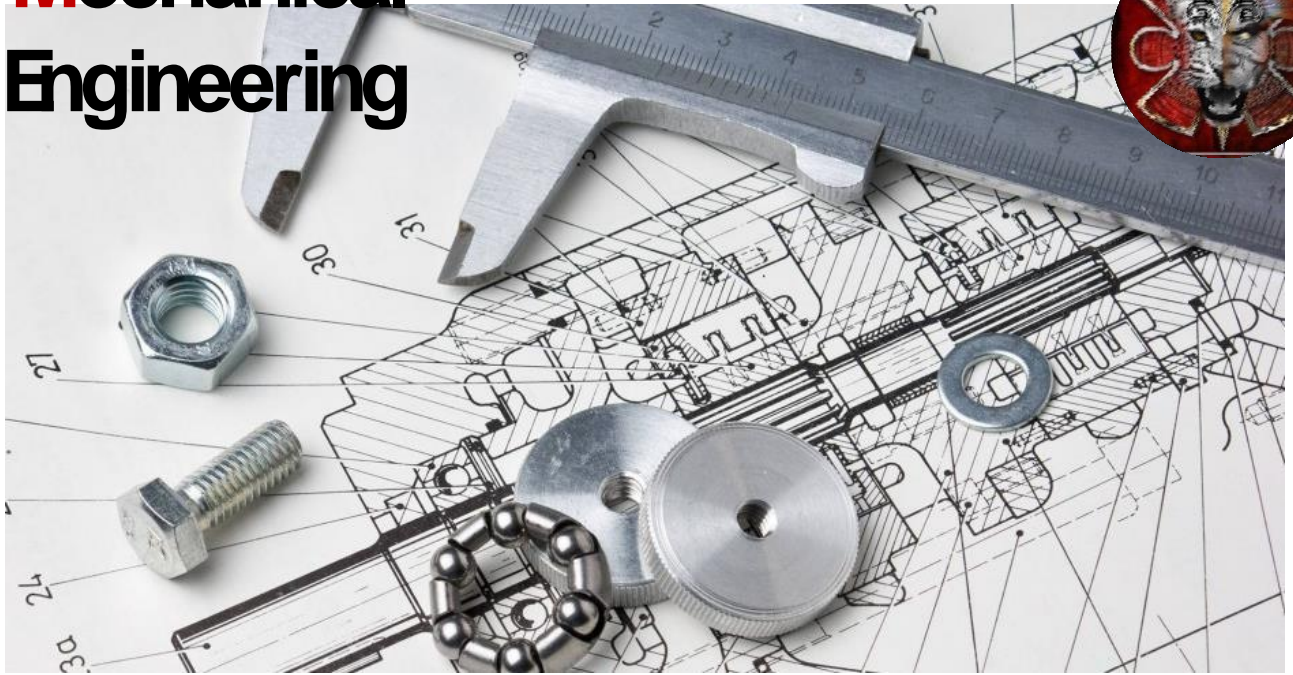


# Mechanical Engineering

**Invitation to professionals and students from all over the world: The International College of Professionals C&C invites professionals and students from the Mechanical Engineering area worldwide to register and send their final year projects. The winners will be selected by a professional international jury made up of the best engineers in the world who will evaluate the work of all participants.**

**The Guerrero Jaguar International Award for Excellence of the International College of Professionals C&C is an initiative whose objective is to promote the profession of Academic and Professional Mechanical Engineering.**

# Mechanical Engineering



A wonderful portal to expose the works and creativity of young people, have the opportunity to establish networking, knowledge sharing and teaching methods.

The recognition of experts throughout the world and the opportunity to appreciate the most efficient designs and solutions. The global talent award is celebrated and celebrated, promoting to be better implementing the most avant-garde in all communities. By recognizing the talent at the beginning of the participants' career and by offering them the opportunity to collaborate and support each other, this award empowers a generation of Mechanical Engineers. Jury.- The jury of the Prize for Excellence of the International Association of Professionals in the Mechanical Engineering division will be composed of world-class specialists Registration and Voluntary contributions are those that hold the C&C International College of Professionals Award of Excellence and affirm support for the culture of excellence for which we fight. The funds for the Excellence Award come from academic institutions, foundations, and international organizations, several donor companies have generously committed to achieve this goal.

# Mechanical Engineering



**Participation requirements.-** ▪ Participation requirements for students You can participate if you meet the following conditions: You (if you participate as an individual) or your team members (if you participate as a team) are expected to present your project to the committee or graduate between on 01/09/2019 and on 31/08/2020\* . ▪ Participants can submit work done only in their last year of study, regardless of the nature, program, budget and scale of the project (students can send graduation projects or any other design project of the last year, as long as you have completed in your last year of study). ▪ If a team or person wishes to submit more than one project, then each presentation must be registered as a separate entry. ▪ Finalists will be asked to provide proof of their status as seniors and graduate during the specified period. Category A  
Category B all students of any semester

Category C all teachers of the career

Category D all professionals with a bachelor's, master's and doctorate degree

**Rules of the Jaguar Guerrero International Prize**

This is an anonymous competition and the Unique Registration Number is the only means of identification. ▪ The official language of the prize is English ▪

The registration fee is

\$ 120 USD for students and \$ 150 USD for the other categories. It is not refundable.

It is forbidden to contact the jury. ▪ The International College of Professionals C&C, as the organizer of the award, reserves the right to modify the awards program if deemed necessary. ▪ Entries will not be reviewed if any of the rules or shipping requirements are omitted.

# Mechanical Engineering



- Participants should send their graduation projects to the following email: [dinamicaecc@gmail.com](mailto:dinamicaecc@gmail.com) and registration [www.worldchampionshipofwisdom.com](http://www.worldchampionshipofwisdom.com)
- Awards:
- 1st. Place 5,000 us medall and recognize signed by jurie
- 2 place medall and recognize signed by jurie
- 3 place medall and recognize
- Signed by jurie



\*The competition will have to have a minimum of 150 participants without exception to access the first place award of the call, otherwise only the medal corresponding to the first place will be awarded, recognition signed by international judges

# Mechanical Engineering



**-Evaluation Criteria:** We are looking for aspirational and transformative projects that address local and global challenges, in turn containing an effective understanding of the context

**-RELEVANCE:** A statement of the conditions that establishes the contextual parameters of the proposal. Clarity of the research process.

**-ANSWER:** Aspirational, transformative and original projects with a programmatic response to the conditions of current technology with the care of the existing environment, social and local. Clarity of the design process.

**-RESOLUTION:** A clear ecological intention and a vision of design. Spatial, material and technical realization.

**-REGISTRATION** The deadline for registration is July 22, 2020. Institutions: This option is open to institutions interested in sponsoring their students to participate in the Jaguar Guerrero International Prize. This type of enrollment is suitable for institutions interested in showing their students' work on a global platform. Please contact us if you are a representative of your university or believe that your university may be interested in sponsoring your students to participate in the International Jaguar Guerrero National Sponsors Award:

-If you or your organization are interested in sponsoring students from your country as part of a Corporate Social Responsibility program to support young graduates of your country, please contact us and we can talk with you about the benefits of such sponsorship. By becoming a National Sponsor, it means that it gives all young mechanical engineers in your country the opportunity to participate in this international award.